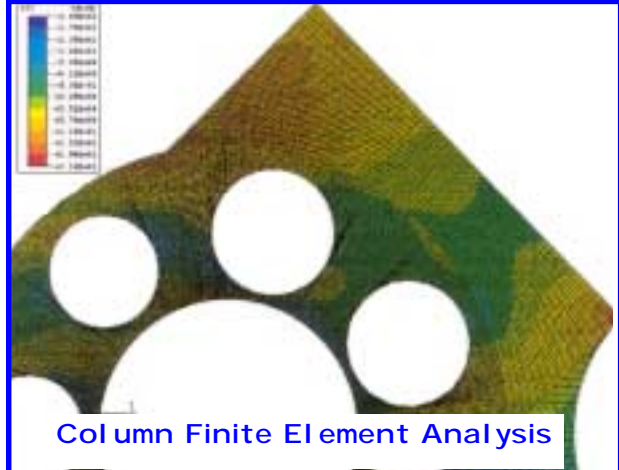


STRUCTURAL

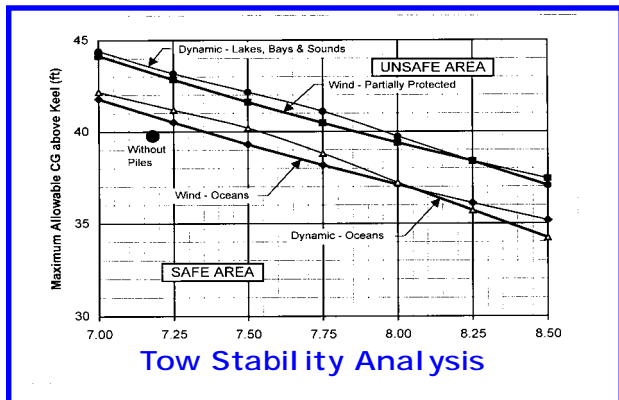
- ❖ Tower In-Place Strength Analysis and Design
- ❖ Tower Structural Detailing and Drawing Preparation
- ❖ Tower In-Place Fatigue Analysis and Design
- ❖ Transportation Fatigue Analysis and Design

Structural Code Checking



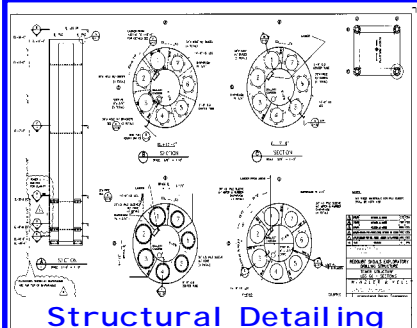
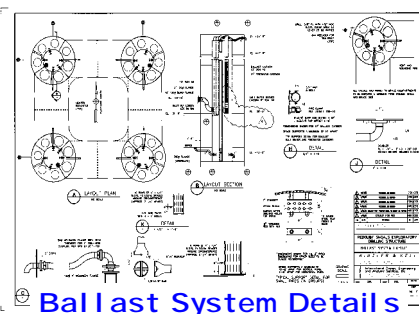
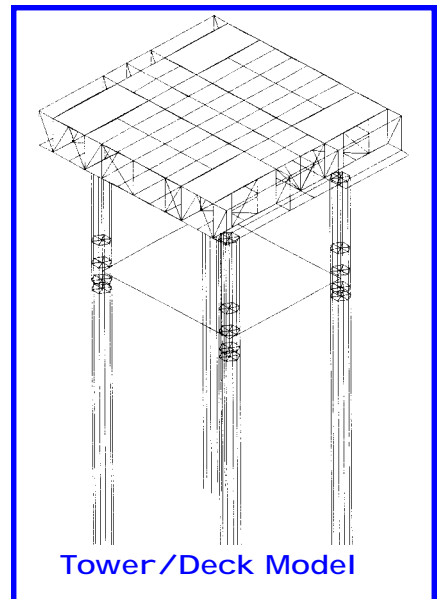
NAVAL ARCHITECTURE

- ❖ Intact and Damage Stability
- ❖ Tow Stability Analysis



MARINE

- ❖ Ballast System Design



International
Design,
Engineering and
Analysis
Services, Inc.

300 Montgomery Street
San Francisco, CA 94104-1909
USA
Telephone: (415) 362-7997
Facsimile: (415) 362-7994
Web Site: www.ideas-engineering.com